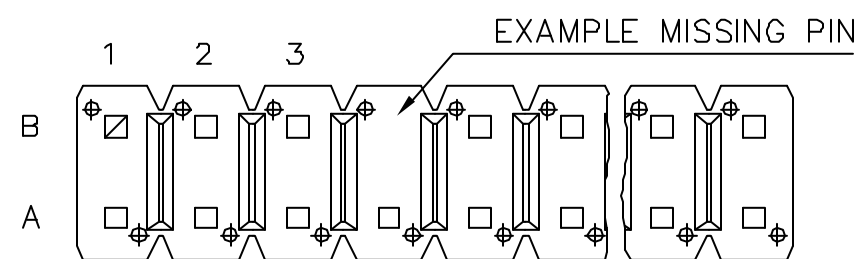
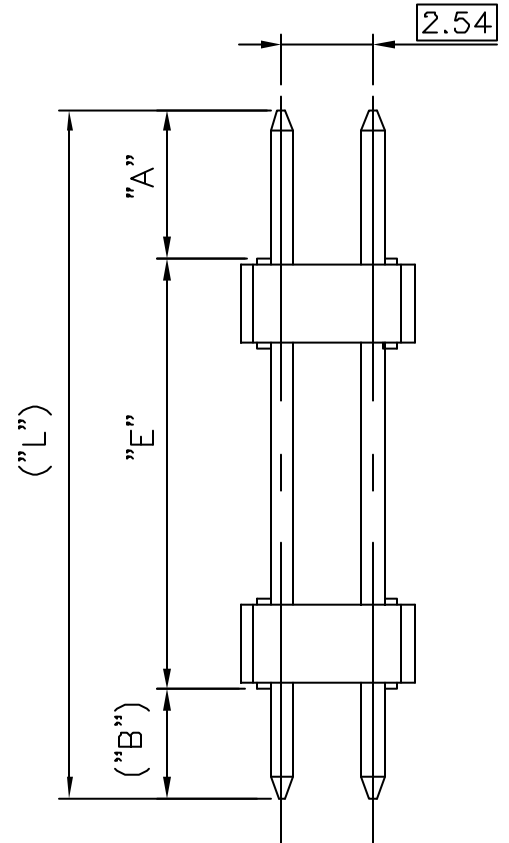
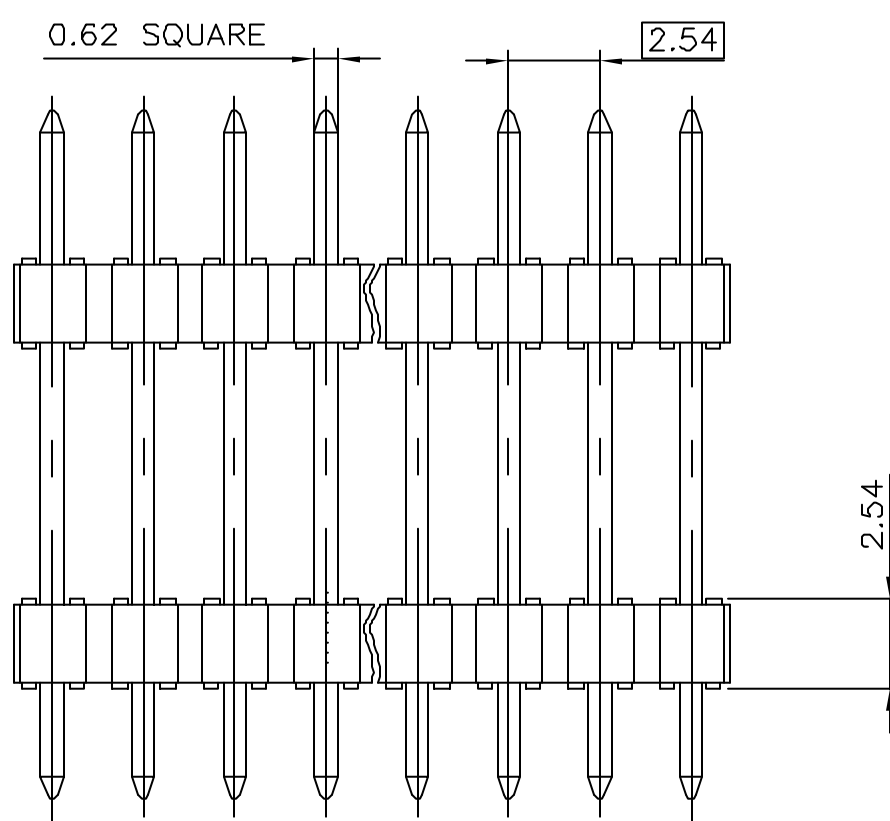
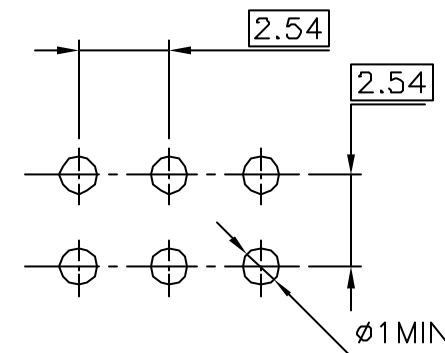
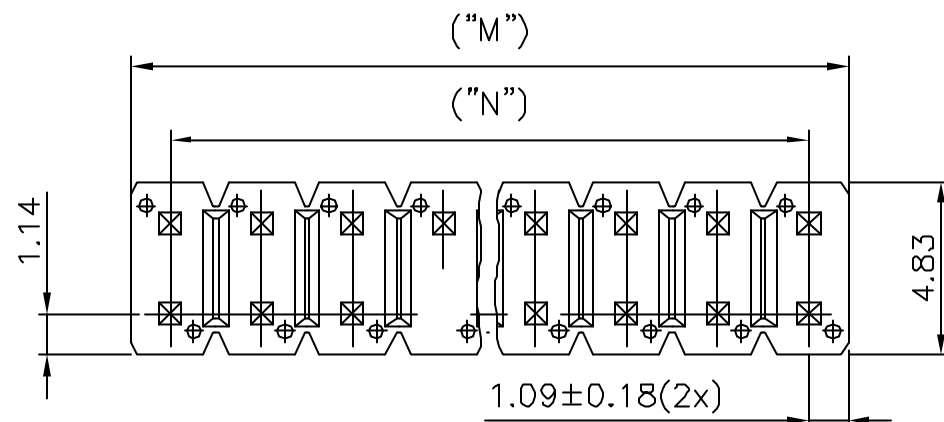


PRODUCT NUMBER
87690-YXXRLF

WHEN REQUIRED, ADD SUFFIX LETTER "LF"
INDICATES THE PRODUCT IS RoHS
COMPATIBLE, SEE NOTE 6

PLATING

OPTION, NOTE 4.
PIN STYLE, SHEET 2.



BOTTOM VIEW

NOTES:

1. HOUSING MAT'L : HIGH TEMPERATURE THERMOPLASTIC. UL94V-0 COLOR: BLACK.
2. PIN MATERIAL : PHOSPHOR BRONZE.
3. 12N MIN RETENTION IN EITHER DIRECTION.
4. FOR RETENTION FEATURE DETAILS, SEE SHEET 3. OMIT IF FEATURE NOT APPLICABLE
5. STANDARD PACKAGING IN POLYBAGS.
6. RoHS COMPATIBLE PRODUCT SPECIFICATIONS
 - a - PLATING:
 - "LF" MEANS THE PRODUCT IS LEAD-FREE, 2µm MINIMUM MATTE TIN OVER 1.27µm MINIMUM NICKEL UNDERPLATE.
 - b - MANUFACTURING PROCESS COMPATIBILITY
 - THE HOUSING WILL WITHSTAND EXPOSURE TO 260°C ±5°C SOLDER BATH TEMPERATURE FOR 5 SECONDS IN A WAVE SOLDER APPLICATION WITH A 1.6mm MIN THICK CIRCUIT BOARD.
 - c - LABELING:
 - MEETS PACKAGING SPECS AS PER GS-14-920
 - d - LEGAL STATEMENT: SEE GS-22-008

mat'l. code		surface		tolerance		projection		product family	
SEE NOTES		ISO 1302 ✓		ISO 406 ISO 1101		mm		BSTIK	
ltr	ecn no	dr	date	tolerances unless otherwise specified		mm		title	
M	F70102	JMC	97.01.10	angles	linear	x ±0.3		HEADER STR,DR DOUBLE BODY POL	
N	F70179	JMC	97.03.28			.xx ±0.15			
P	F70815	OMA	97.12.23			xxx ±0.05		scale 5:1	
R	F80321	JMC	98.05.04	dr	O. MATHEVON	96.06.07		dwg no	
S	F03094	JCO	03.04.15	enr	COMPAGNON	96.06.07		sheet 1 of 3	
T	F05-0291	JCO	05.11.14	chr	JMC	96.06.07		size	
U	F06-0196	LMU	06.06.20	appd	JMC	96.06.07		A3	
sheet	revision	U	R	C				type	
index	sheet	1	2	3				CUSTOMER Drawing	

PRODUCT NUMBER	PRODUCT DIMENSIONS							VIEW OF MISSING PINS POSITION FROM BOTTOM VIEW						
	NBR POS	"A" ±0.2	"E" ±0.25	"B" ±0.25	("L") REF	("M") REF	("N") REF	1	5	10	15	20	25	30
87690-X01	2x20	3.15	23	3.15	29.31	50.8	48.26							
87690-X02	2x 9	12.2	9.25	6.96	28.41	22.86	20.82							
87690-X04	2x28	3.14	19.76	3.14	26.04	71.12	68.58							
87690-X07	2x10	11.96	18.5	3.2	33.66	25.4	22.86							
87690-X08	2x20	21.4	20	3.05	44.45	50.8	48.26							
87690-X09	2x15	11.96	18.5	3.2	33.66	38.1	35.56							
87690-X10	2x10	11.96	18.5	3.2	33.66	25.4	22.86							
87690-X12	2x12	6.9	10.7	3.05	20.65	30.48	27.94							
87690-X13	2x03	11.96	18.5	3.2	33.66	7.62	5.08							
87690-X14	2x05	11.96	18.5	3.2	33.66	12.7	10.16							
87690-X15	2x07	11.96	18.5	3.2	33.66	17.78	15.24							
87690-X16	2x20	26.4	15	3.05	44.45	50.8	48.26							
87690-X17	2x18	6	9.5	3.05	18.5	45.72	43.18							



Copyright FCJ

mat'l. code				surface ISO 1302 ✓		tolerance ISO 406 ISO 1101		projection		product family BSTIK	
ltr ecn na dr date				tolerances unless otherwise specified				mm		title	
M	F80321	JMC	98.05.04	angles linear				scale N/A		HEADER STR,DR	
N	F03094	JCO	03.04.15							DOUBLE BODY POL	
P	F05-0291	JCO	05.11.14							dwg no	
R	F06-0196	LMU	06.06.20	dr	Q. MATHEVON	96.06.07			sheet 2 of -		
				enr	JMC	96.06.07			size		
K	F60771	JMC	96.10.29	chr	JMC	96.06.07			87690 A3		
L	F60844	JMC	96.11.25	appd	JMC	96.06.07			type CUSTOMER Drawing		
sheet index		revision sheet									

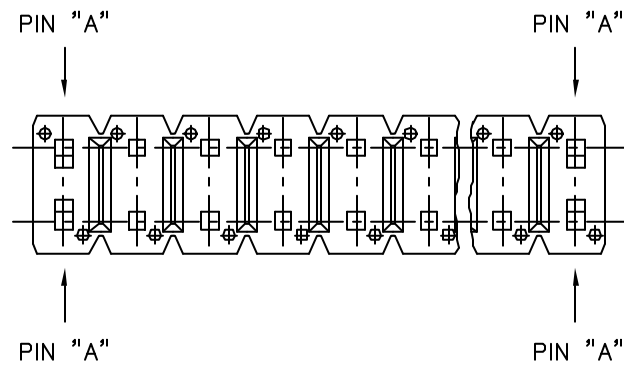
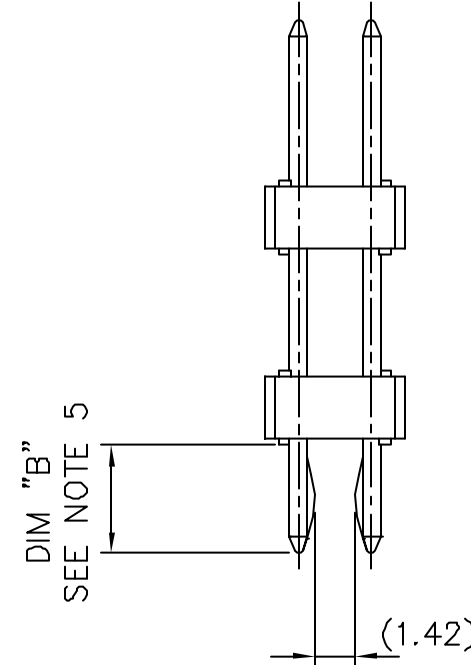
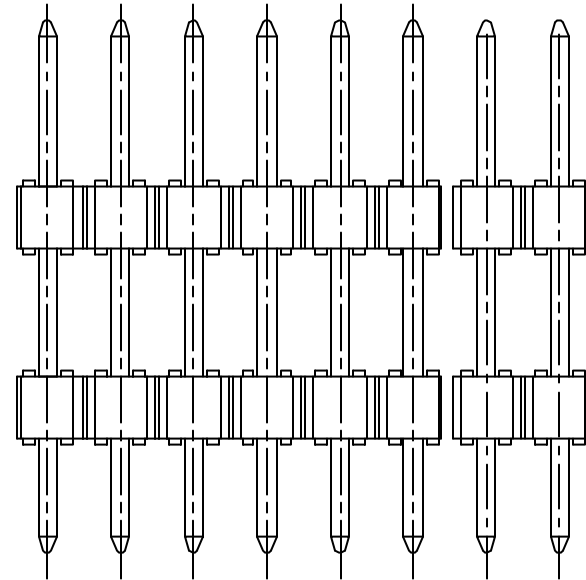
1

2 3

4

5

6



NOTES:

- 1 - PART NUMBER 87690-YXX
- 2 - PINS "A" USED FOR RETENTION.
- 3 - DIRECTION OF RETENTION SHOWN BY ARROWS.
- 4 - KINKED LEGS LOCATION CAN BE MOVED IF A PIN IS MISSING.
- 5 - RETENTION VERSION ONLY AVAILABLE WHEN DIM "B" IS BETWEEN 2.9 mm AND 3.5 mm.
- 6 - 2 AND 3 POSN KINKED HEADER ARE NOT AVAILABLE.

"R" INDICATES A RETENTION HEADER.



Copyright FCI

mat'l. code				surface ISO 1302	tolerance ISO 406 ISO 1101	projection mm	product family BSTIK	
ltr	ecn no	dr	date	tolerances unless otherwise specified		mm	title	
A	F60421	OMA	96.06.07	angles	linear		HEADER STR,DR DOUBLE BODY POL	
B	70102	JMC	97.01.10			scale N/A	dwg no	
C	F70179	JMC	97.03.28				87690	
D	F70815	OMA	97.12.23	dr	O. MATHEVON	96.06.07	sheet 3 of - size	
E	F80321	JMC	98.05.04	enr	JMC	96.06.07	A3	
F	F05-0291	JCO	05.11.14	chr	JMC	96.06.07	type CUSTOMER Drawing	
G	F06-0196	LMU	06.06.20	appd	JMC	96.06.07		
sheet index	revision sheet							

form: A3

1

2

3

4

5

6